

SAMPLE

MODIFICATIONS REQUIRED, AND APPROVE ONE SET OF CHANGES AND RETURN WITHIN TWO WEEKS OF DRAWING DATE. ANY DELAY IN RESPONSE WILL BE AT THE USER'S RISK. THIS PRINT MAY MEAN OTHERWISE.

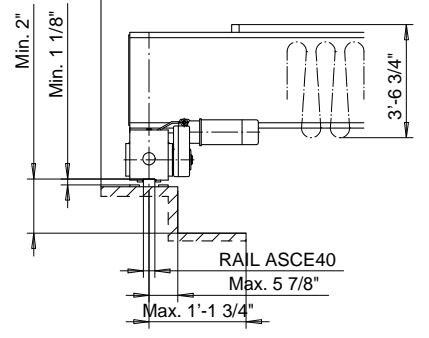
APPROVED _____
 BY _____
 DATE _____

TECHNICAL DATA

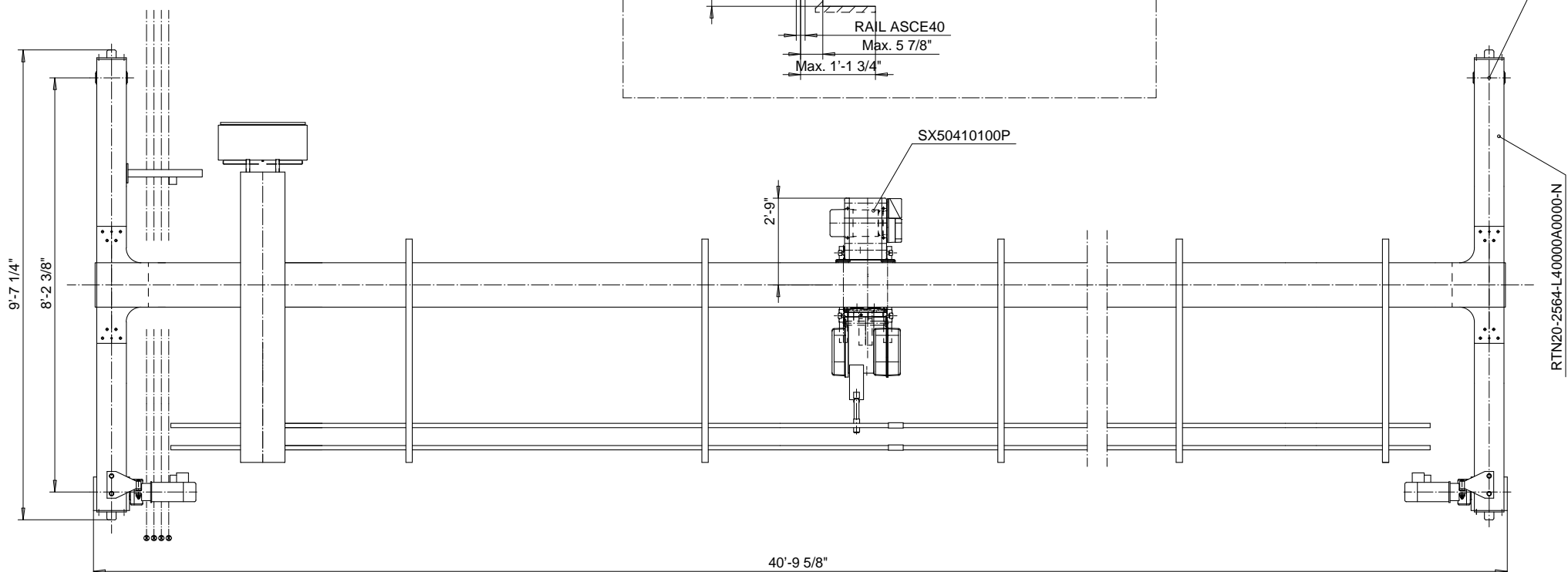
LOAD CAPACITY.....
 SPAN.....
 HOISTING HEIGHT.....

HOISTING SPEED.....
 TROLLEY SPEED.....
 BRIDGE SPEED.....
 WEIGHT OF TROLLEY.....
 WEIGHT OF BRIDGE.....
 POWER SUPPLY.....
 CRANE GROUP.....

10 Ton
 40'-0"
 17'-5 1/4"
 19/3.3 ft/min 2-SPEED
 65 ft/min STEPLESS
 100 ft/min STEPLESS
 1350 lbs
 7190 lbs
 460 V / 115 V / 60 Hz
 CMAA D



MAX. STATIC WHEEL LOAD 12 kips



CUSTOMER ORGANIZES SAFE PLATFORM FOR CRANE SERVICE

JBO/RCT	1/24/2012
CRANE-TEC	10 Ton QXS Crane
MATERIALS	
HANDLING	
INC.	